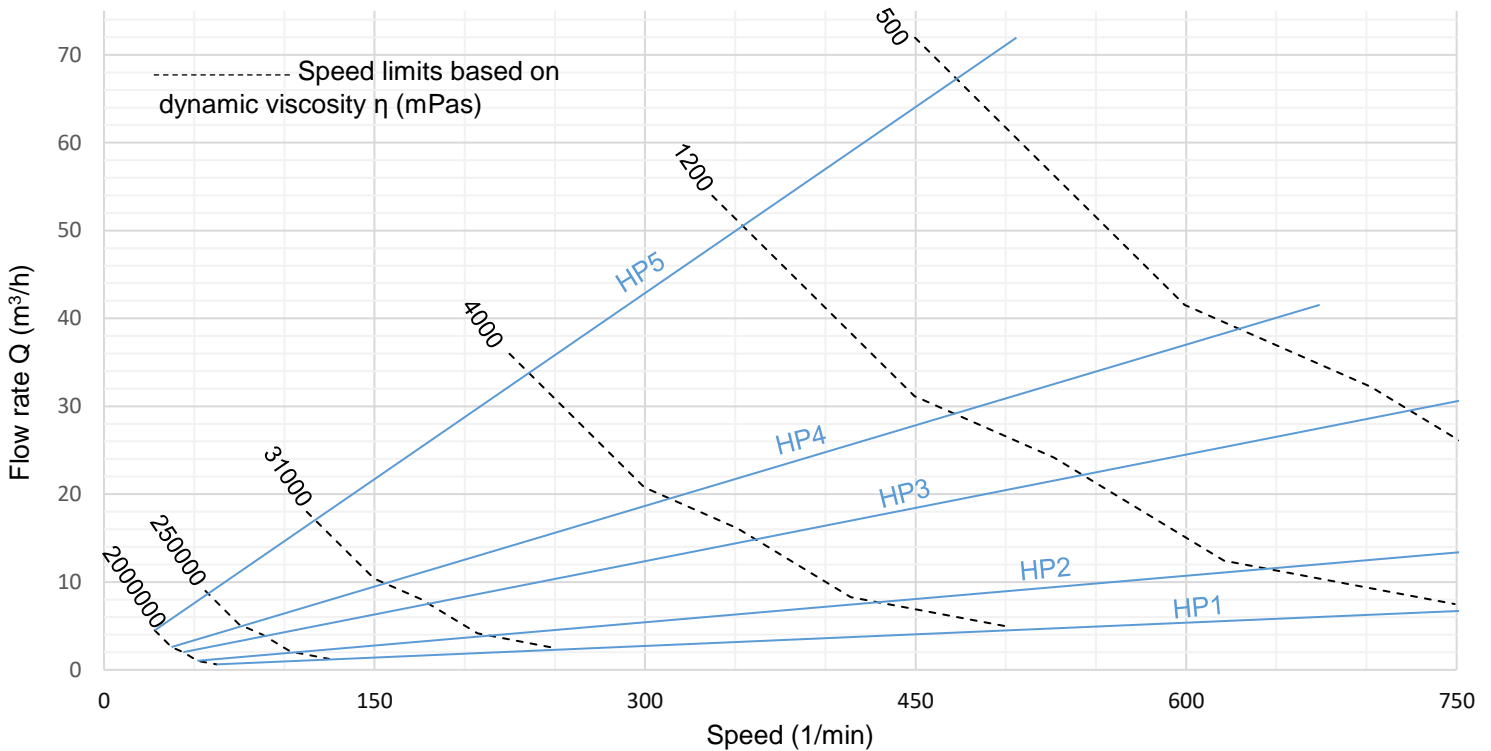


HP SERIES

INTERNAL GEAR PUMP

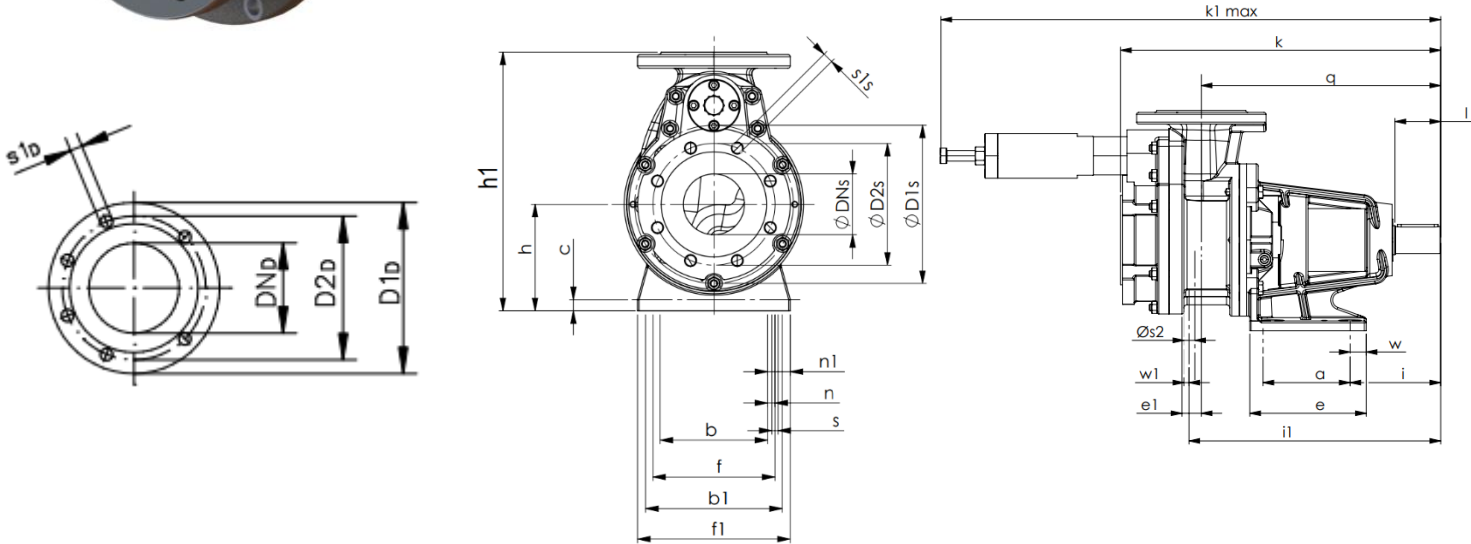
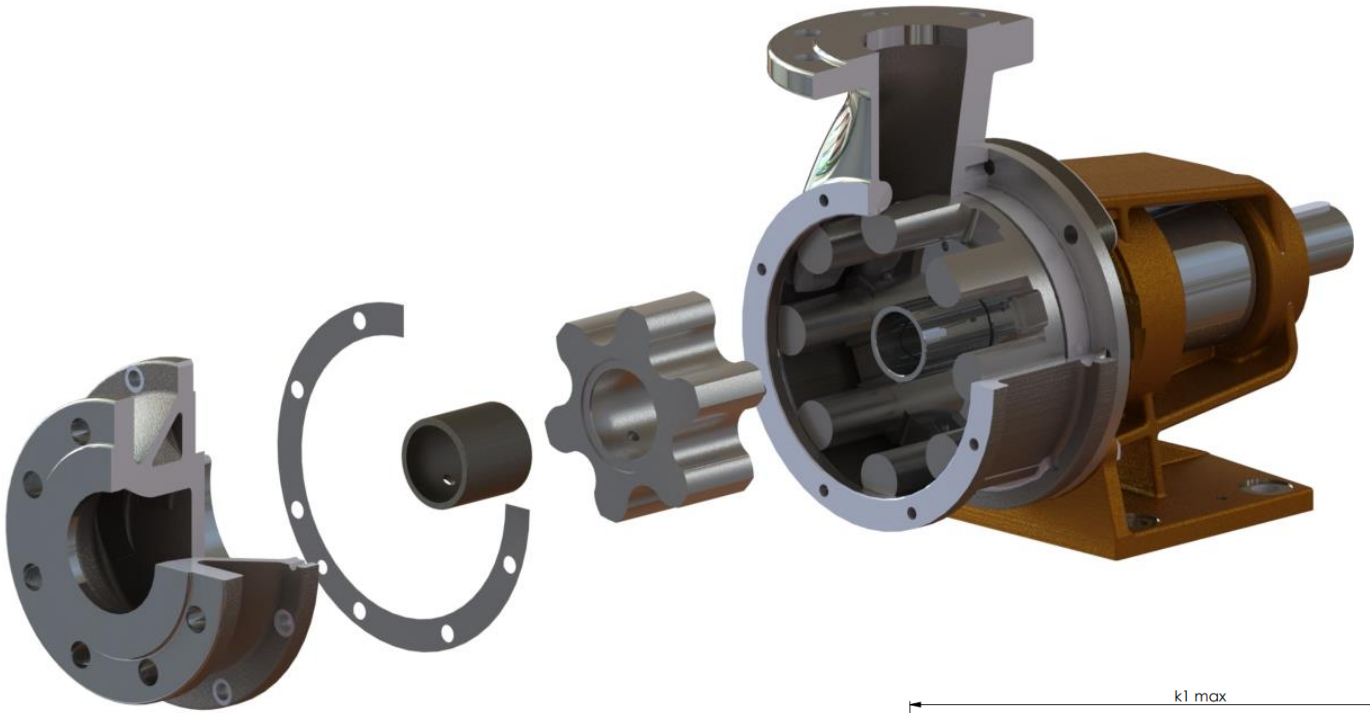
- **Nominal pressure:** 16 bar
- **Differential pressure:** up to 12 bar
- **Suction height:** up to 2,5 m
- **Conveying capacity:** 0 – 1000 l/min
- **Rotational speed:** up to 750 1/min
- **Viscosity:** max. 2.000.000 mPas
- **Conveying temperature:**
 With PEEK displacer up to 130 °C
 With metallic displacer up to 250 °C

Higher values on request



Type	Conveying volume	Conveying capacity											
		100 1/min		200 1/min		300 1/min		400 1/min		500 1/min		750 1/min	
		l/min	m ³ /h	l/min	m ³ /h	l/min	m ³ /h	l/min	m ³ /h	l/min	m ³ /h	l/min	m ³ /h
HP 1	0,14	16	1,0	33	2,0	50	3,0	66	4,0	83	5,0	125	7,5
HP 2	0,27	30	1,8	60	3,6	90	5,4	120	7,2	150	9,0	225	13,5
HP 3	0,68	75	4,5	150	9,0	225	13,5	300	18,0	375	22,5		
HP 4	1,04	115	6,9	230	13,8	345	20,7	460	27,6	575	34,5		
HP 5	2,27	250	15,0	500	30,0	750	45,0	1000	60,0				

Exact flow rates are application-specific and depend on pressure, viscosity and temperature. The flow rates shown should therefore be regarded as reference values.



Type	Suction flange				Pressure flange				Bearing bracket foot							
	DN _s	D1 _s	D2 _s	S1 _s	DN _D	D1 _D	D2 _D	s1 _D	a	b	c	e	f	n	Øs	w
HP1	23	140	100	4xM16	32	140	100	4xØ18	120	120	14	177	150	/	14	20
HP2	50	165	125	4xM16	50	165	125	4xØ18	120	120	14	177	150	/	14	20
HP3	80	200	160	8xM16	80	200	160	8xØ18	120	160	16	180	200	/	18	25
HP4	100	220	180	8xM16	100	220	180	8xØ18	120	160	16	180	200	/	18	25
HP5	150	285	240	8xM20	125	250	210	8xØ18	160	220	20	235	260	60	18	25

Type	Shaft end							Weight without valve							
	h	h1	i	i1	k	k1	q	d	l	t	u				
HP1	112	272	110	/	401	555	321	32	60	35	10	Ca.32			
HP2	112	287	110	/	422	572	322	32	60	35	10	Ca.42			
HP3	140	340	140	/	495	658	370	42	70	45	12	Ca.75			
HP4	140	365	140	/	505	668	365	42	70	45	12	Ca.85			
HP5	180	460	168	514	654	960	474	55	80	59	16	Ca.165			

In mm, Subject to change without notice *b1, c, e1, f1, n1, s2, w1 are dimensions for HP5 housing base